

GUJO[®]
ADVENTURE



MARS SPACE EXPLORER

AGES 7+



Wall Panel



Explorer Top



Crane Box



Engine #2



Engine #1



Explorer Bottom



Explorer Harness



Cargo Pallet



Tail



Hook (x2)



Cockpit



Wing H



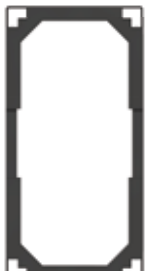
Wing V



Secure Cargo Bottom



Secure Cargo Top



x2



x4



x8



x6



x12



x3



x3



x1



x1



x1



x1



x1



x8



Crane Disc with String



Crane Disc (Extra)



GUJO Figure

A

STEP 1



x2



x4



Wall Panel

①



②

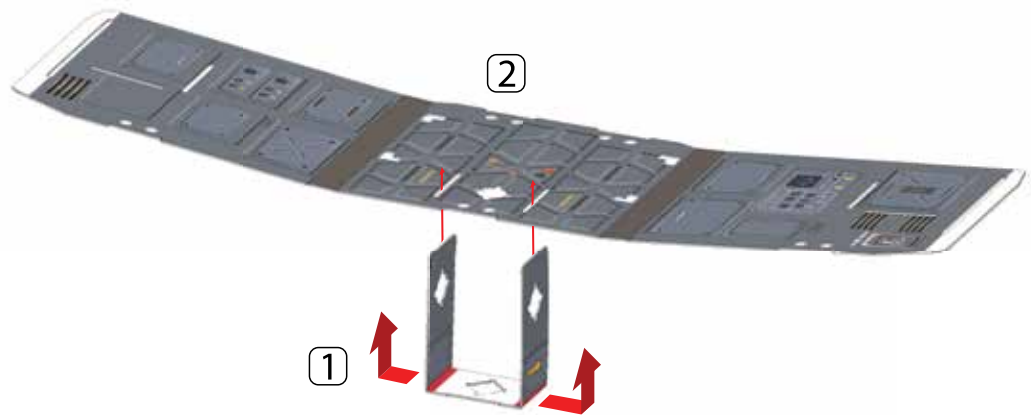


③



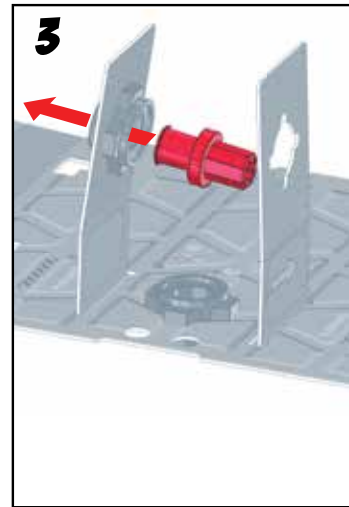
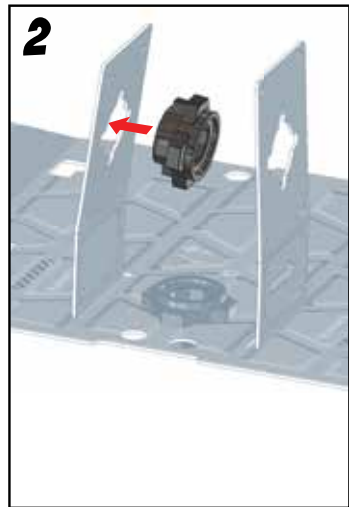
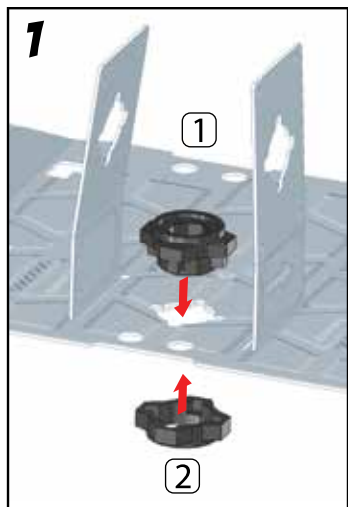
A

STEP 2



Explorer Top
Crane Box

-  x2
-  x1
-  x1



A**STEP
3****Crane Disc
with String**

x1



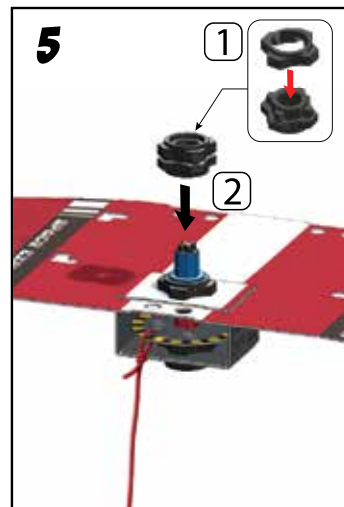
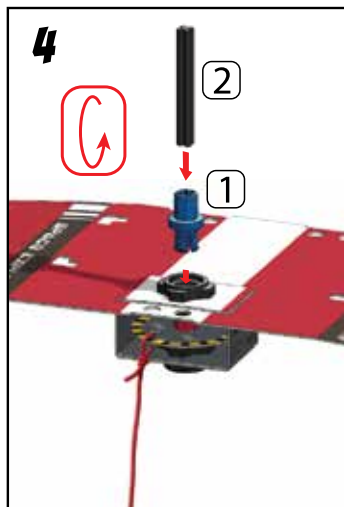
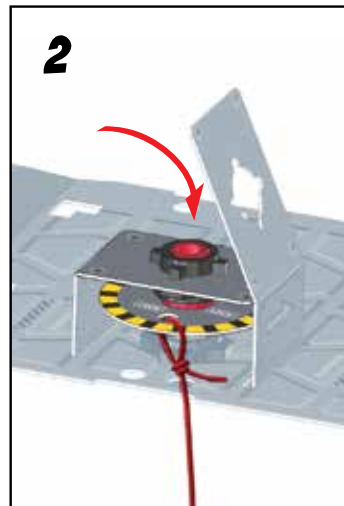
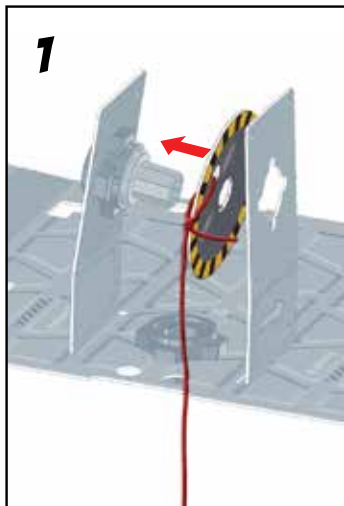
x1



x2



x1



A

STEP 4



STEP 1



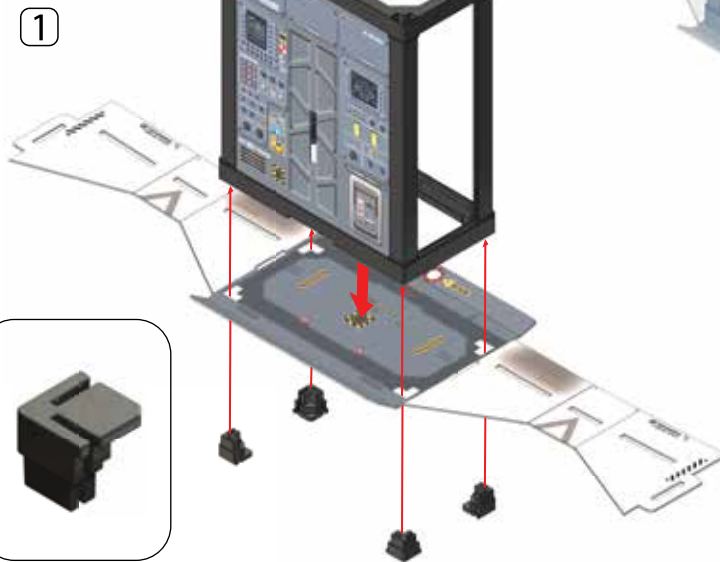
STEP 3



Explorer Bottom

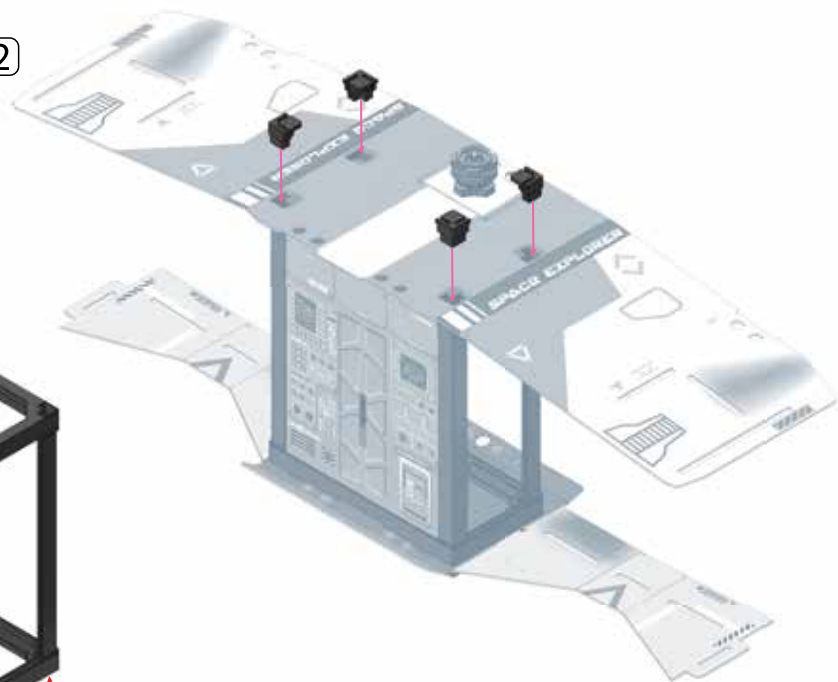


x8



1

2



A

STEP
5

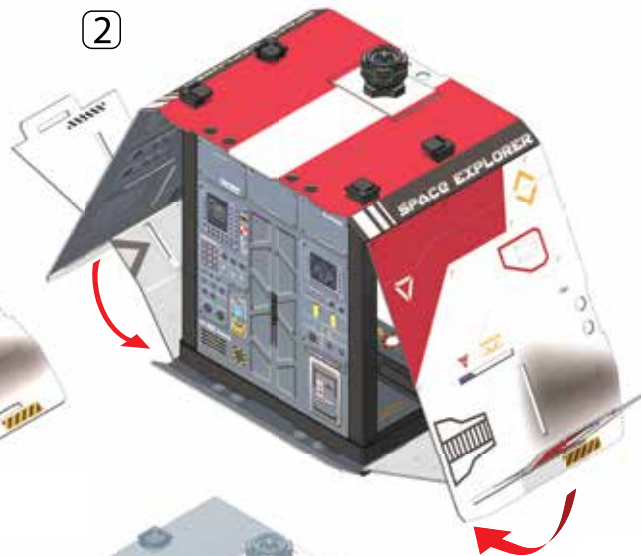


x2

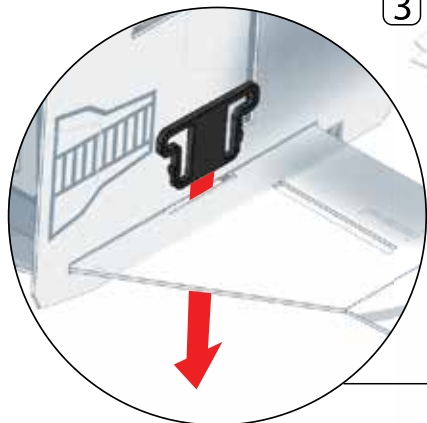
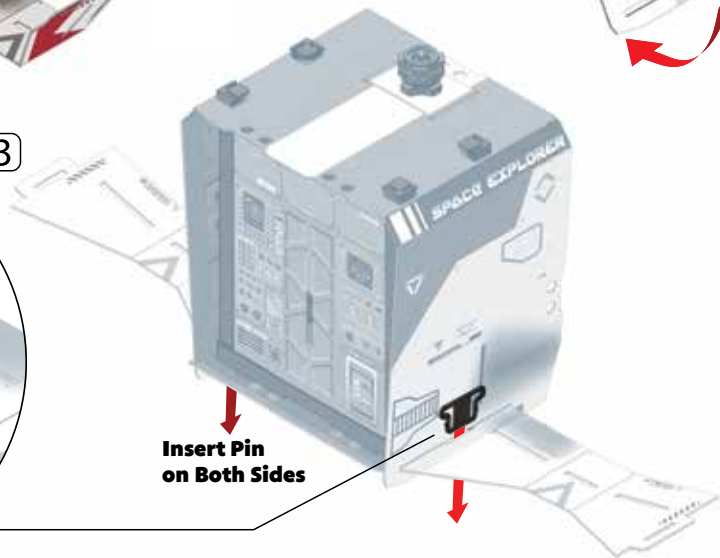
1



2



3



Insert Pin
on Both Sides

A

STEP 6



Engine #1



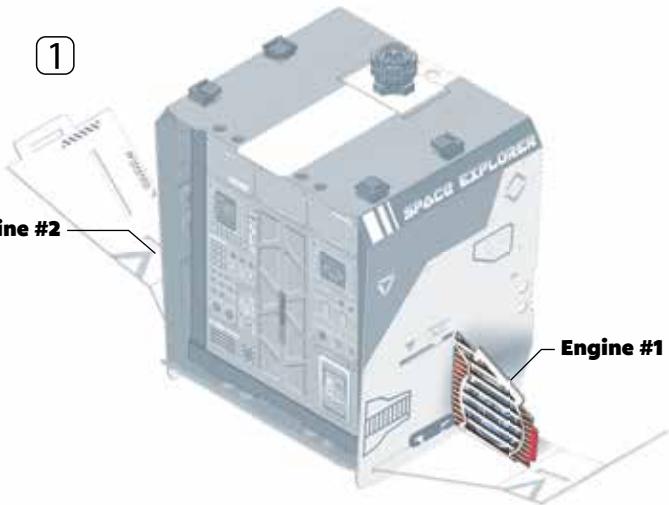
Engine #2



x2

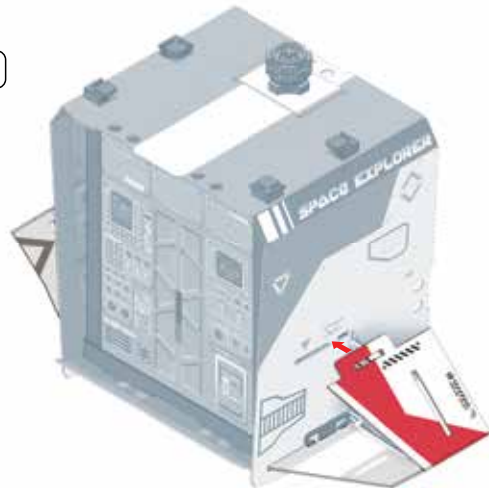
①

Engine #2

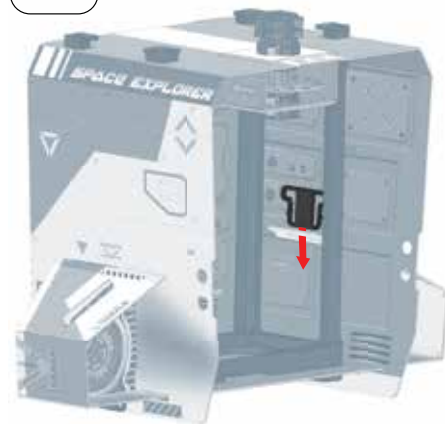
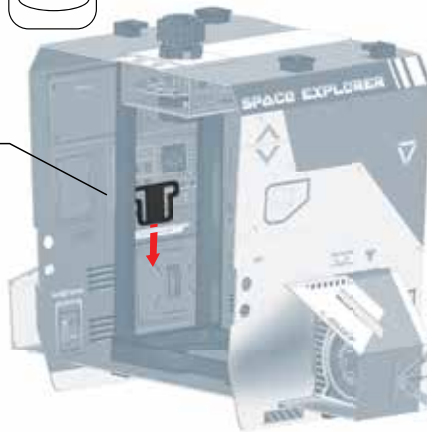
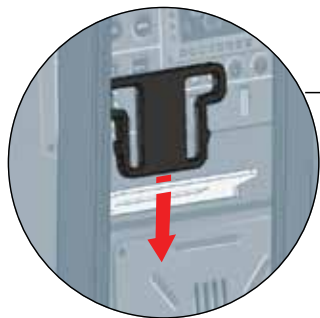


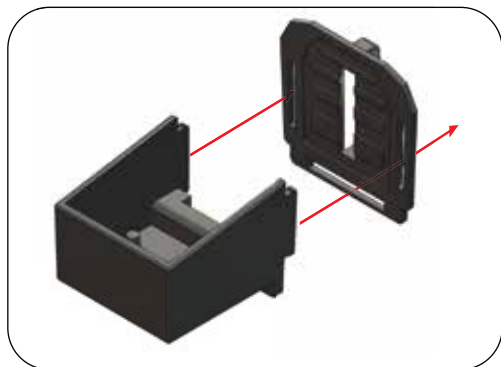
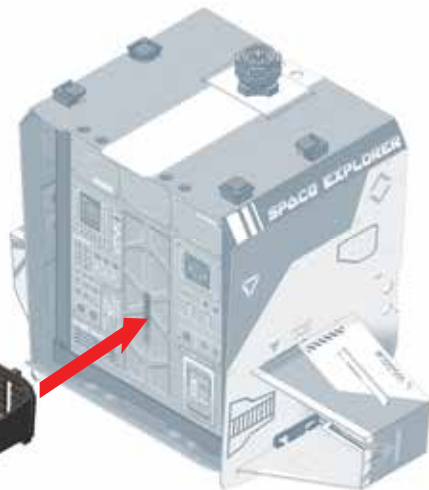
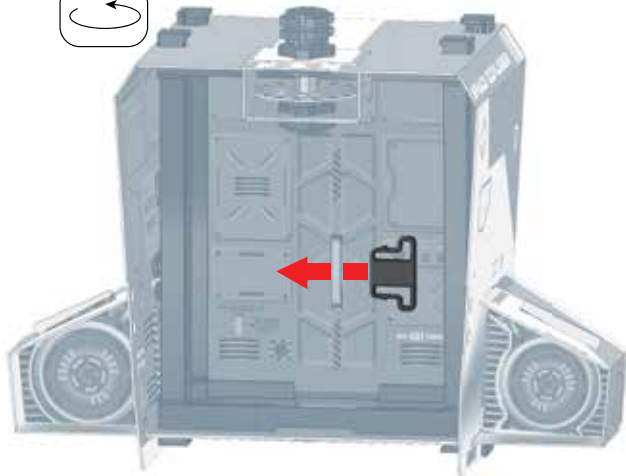
②

Engine #1



③



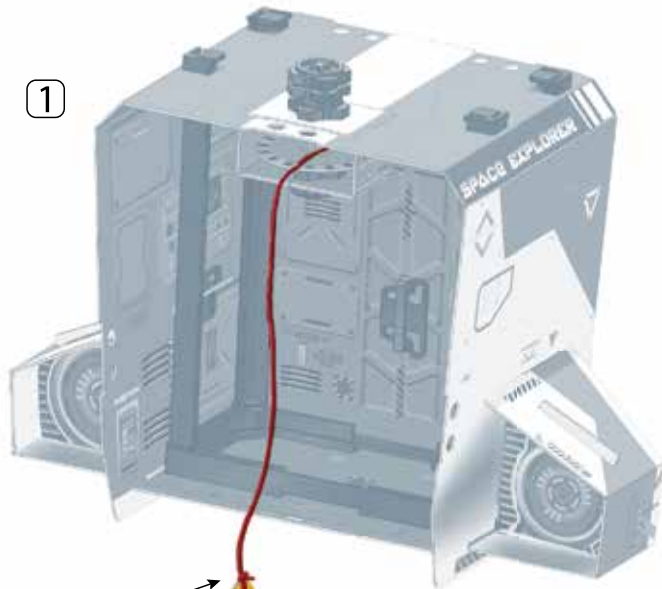
A**STEP
7****x1****x1****x1****1****2**

A

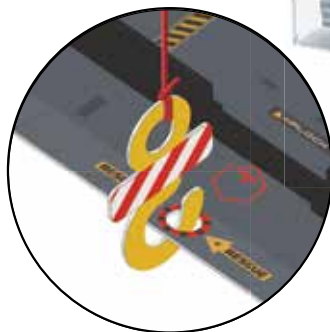
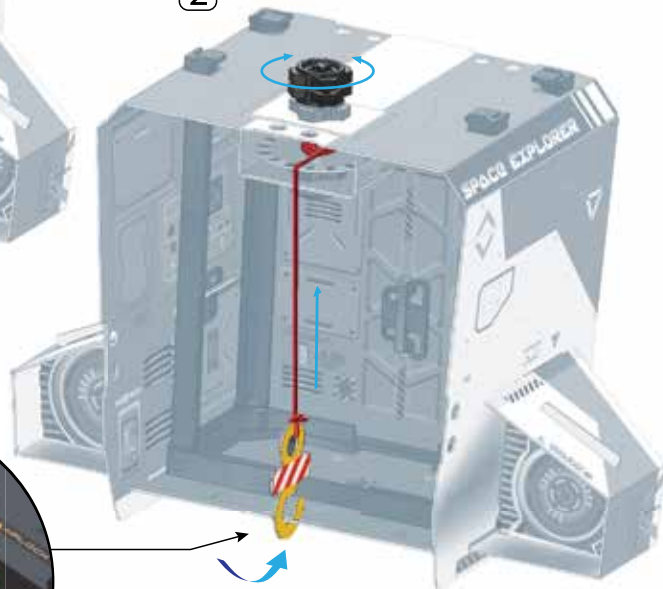
STEP
8



1

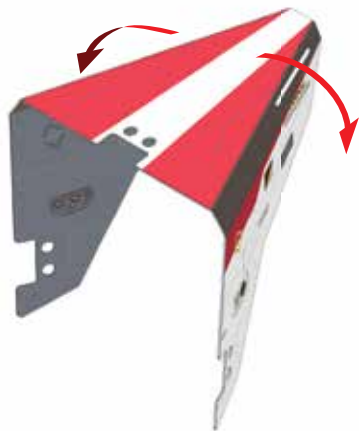


2

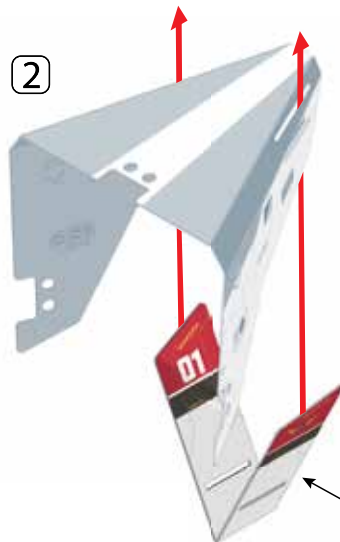


A**STEP
9**

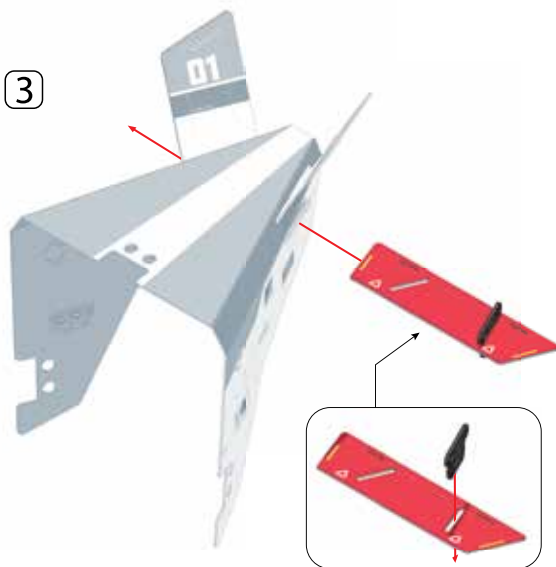
①



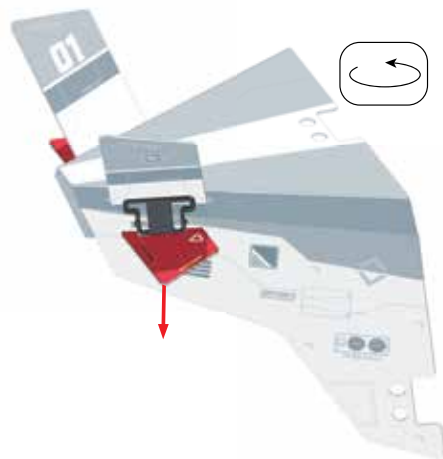
②



③



④



STEP 10



STEP 8



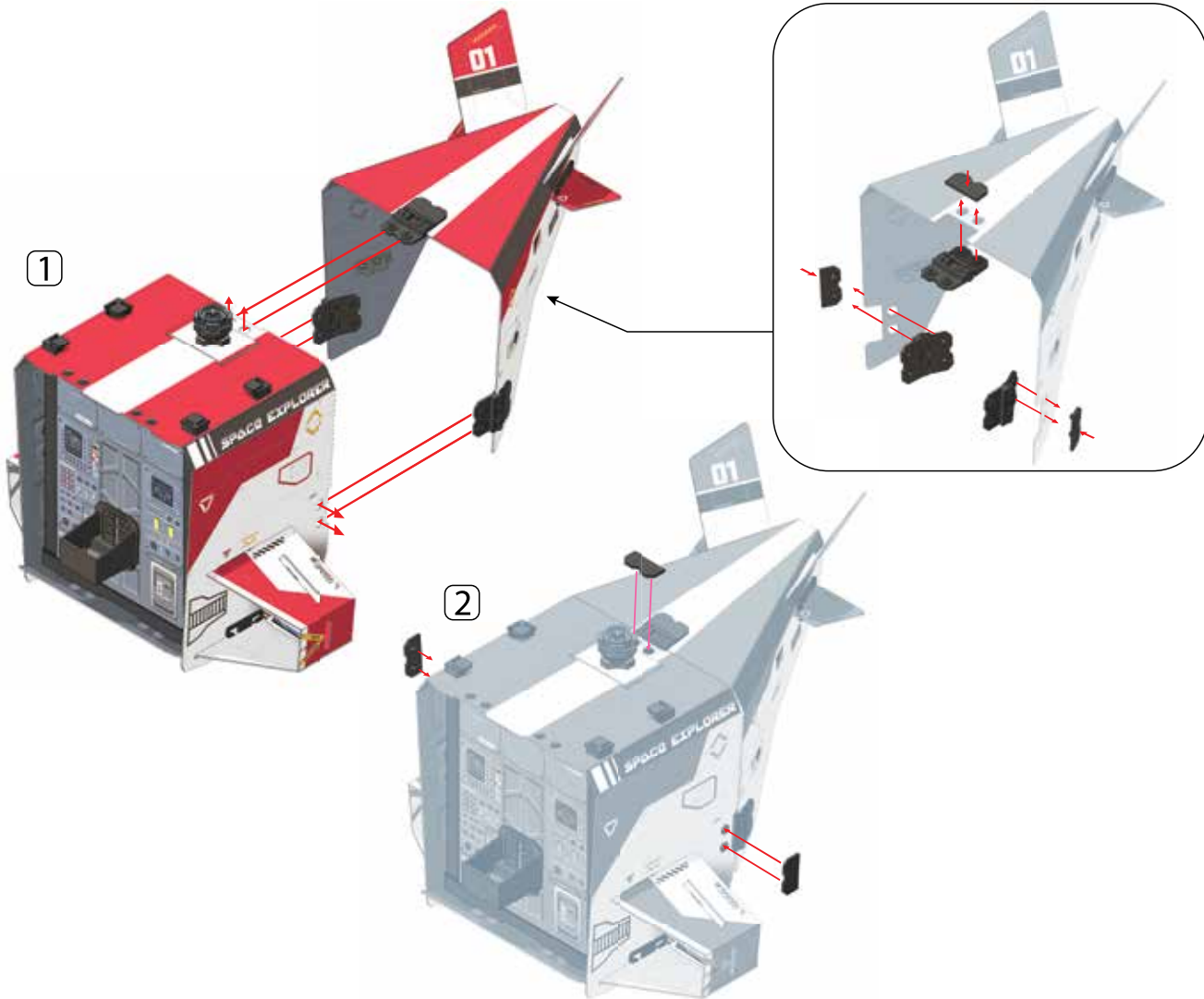
STEP 9

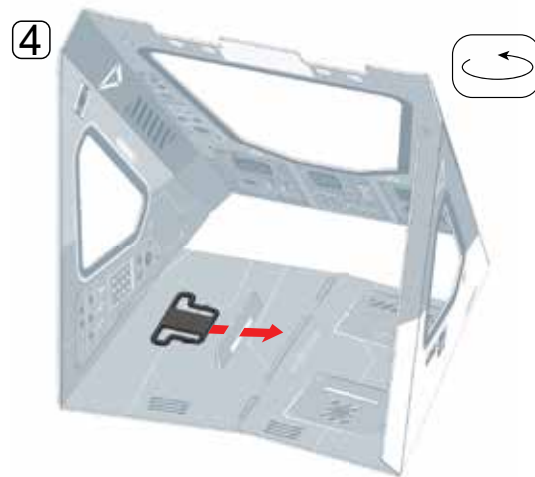
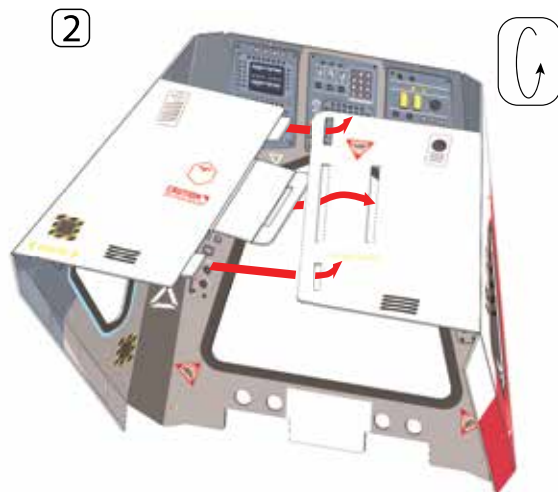
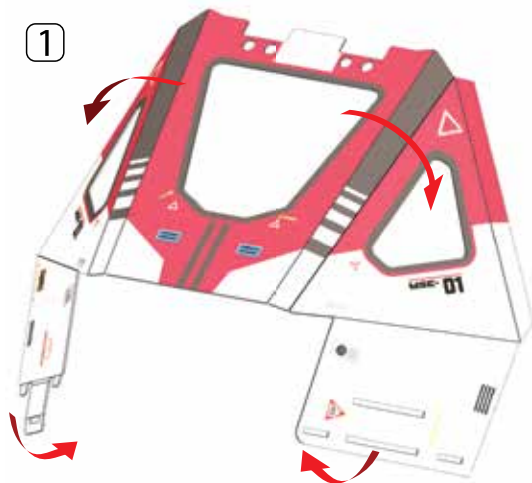


x3



x6



A**STEP
11****Cockpit****x1**

A

STEP 12



STEP 10



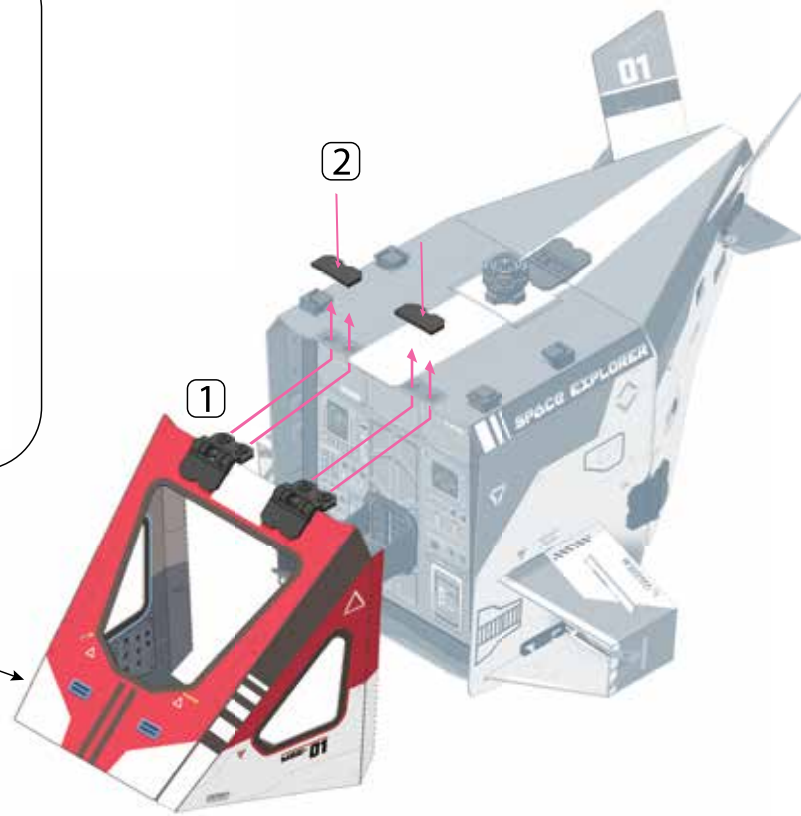
STEP 11



x2



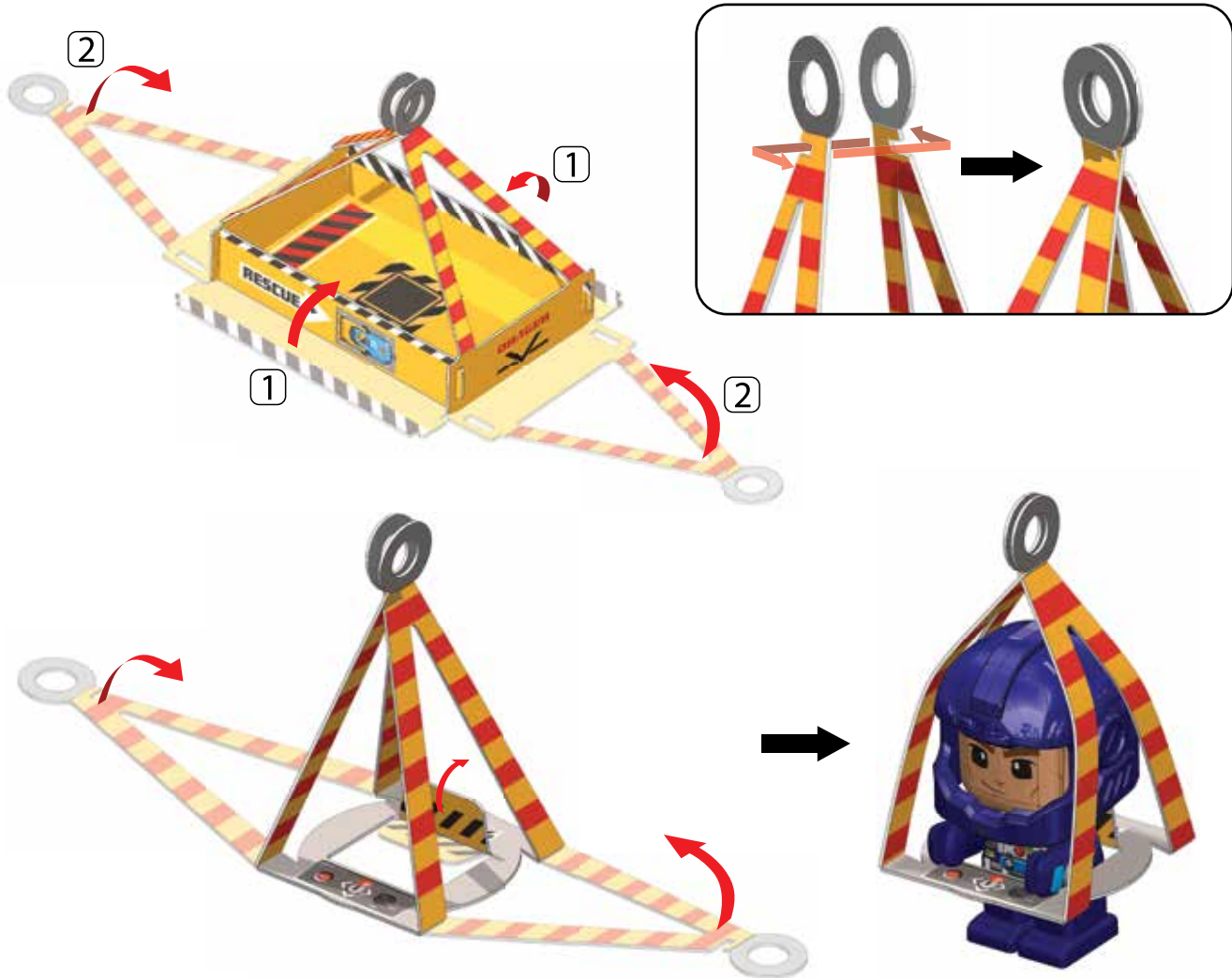
x4





B

STEP 1



B

STEP 2



Secure Cargo Bottom



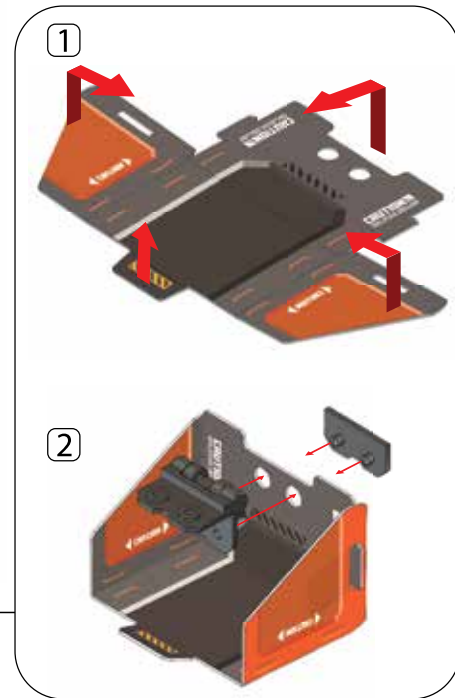
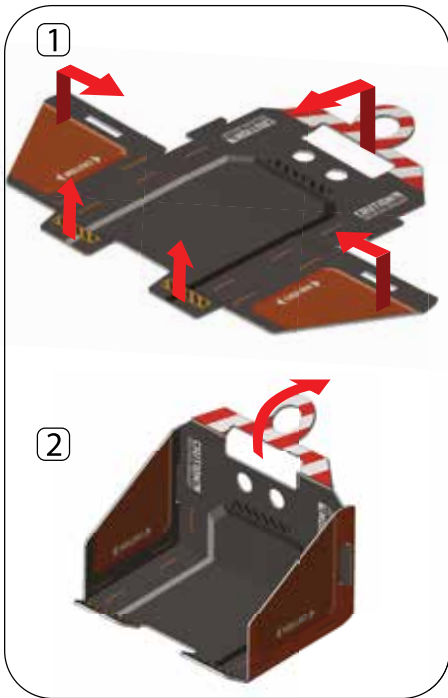
Secure Cargo Top



x1



x2







CAUTION: Overloading the hook, cargo pallet or harness can damage the Sky Crane.



CUSTOMER SERVICE

(888) 551-4258

customerservice@lukilab.com

Step-by-Step Assembly Videos at www.gujoadventure.com

Designed in California.
Irvine, CA 92614 USA
Made in China.