

GUJO[®]
ADVENTURE

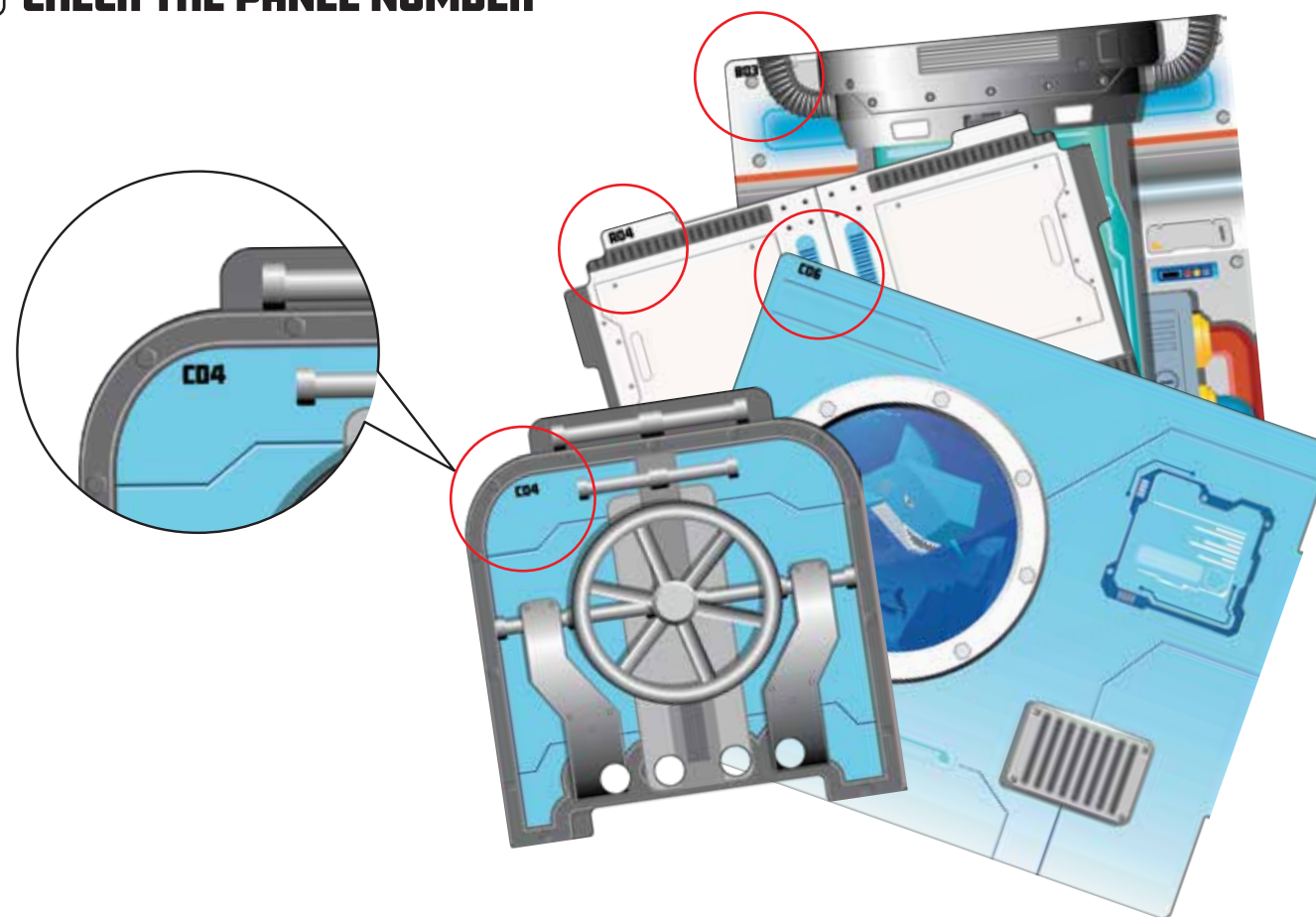


UNDERWATER BASE

AGES 6+

1 SEE PAGE 33 FOR A COMPLETE PARTS LIST

2 CHECK THE PANEL NUMBER

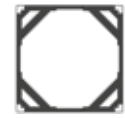


SLIDE THE PANEL INTO POSTS



A

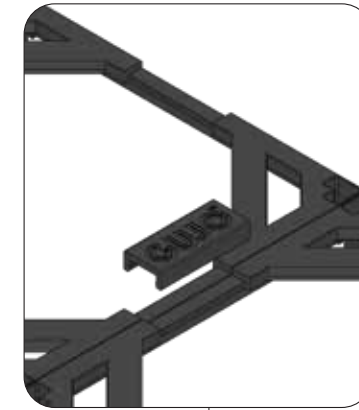
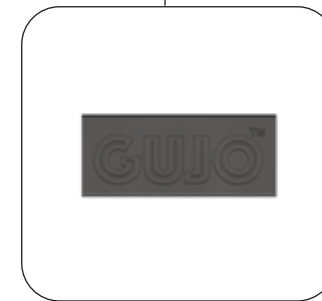
STEP 1



x2



x1

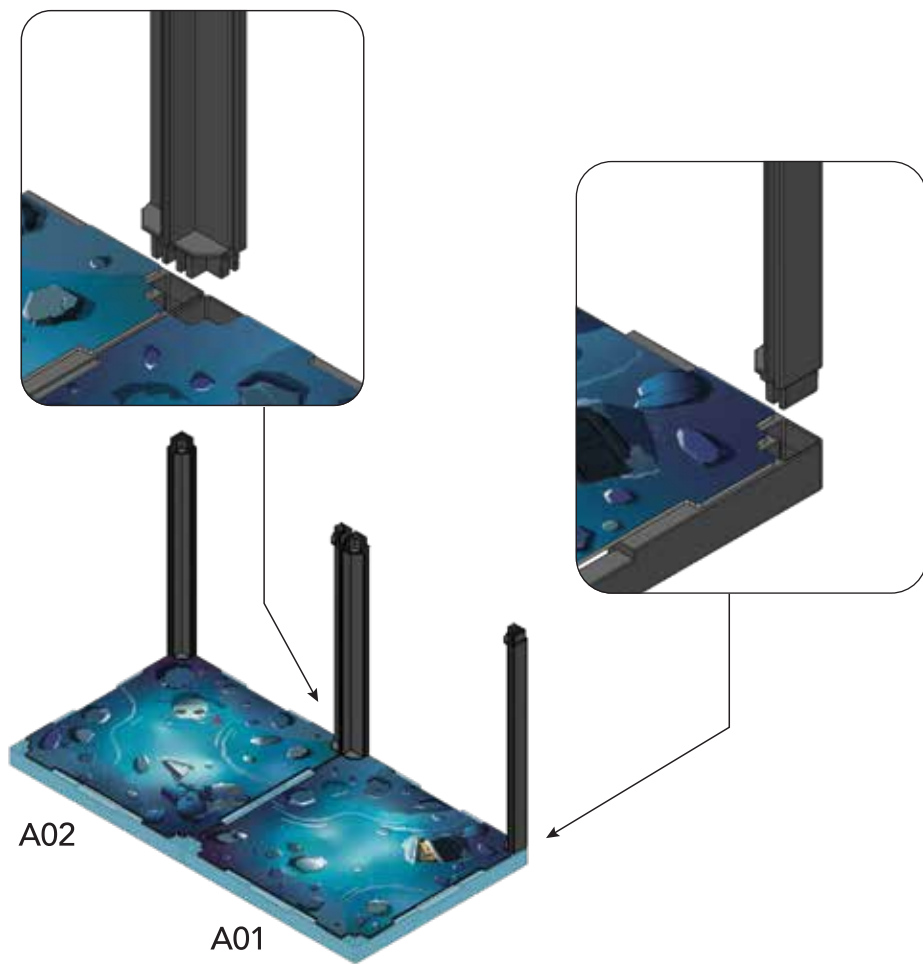


A

STEP 2



4



A

STEP 3



5

A

**STEP
4**



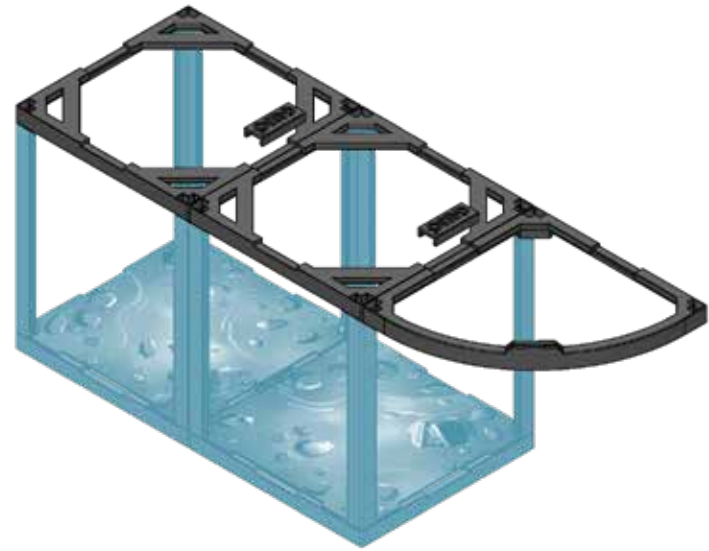
x2



x1



x2

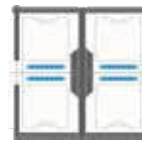


A

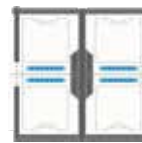
**STEP
5**



A03



A04



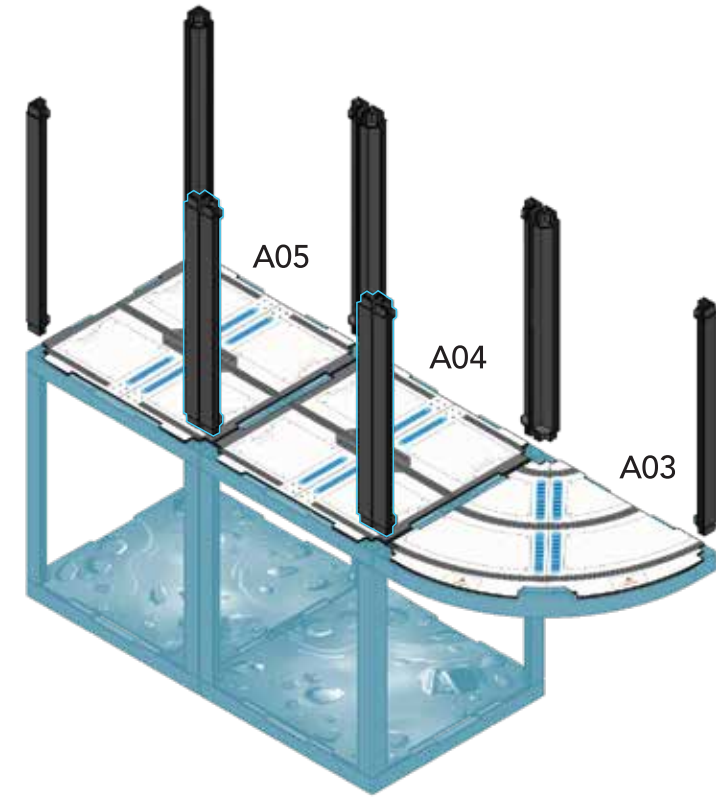
A05

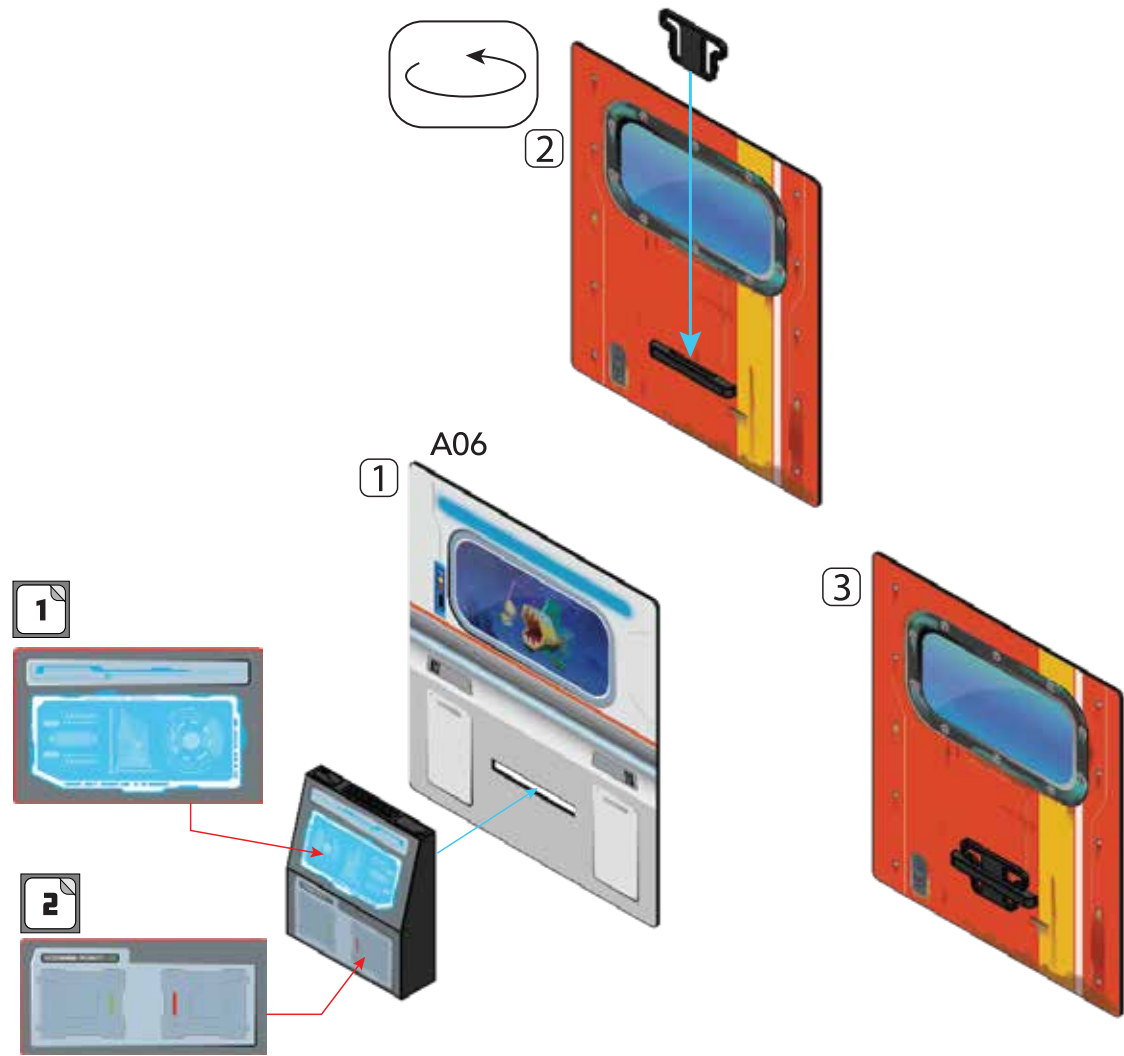
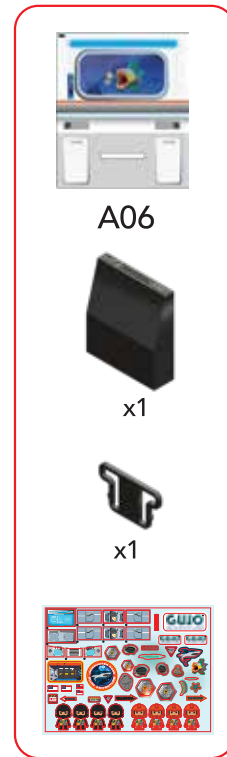
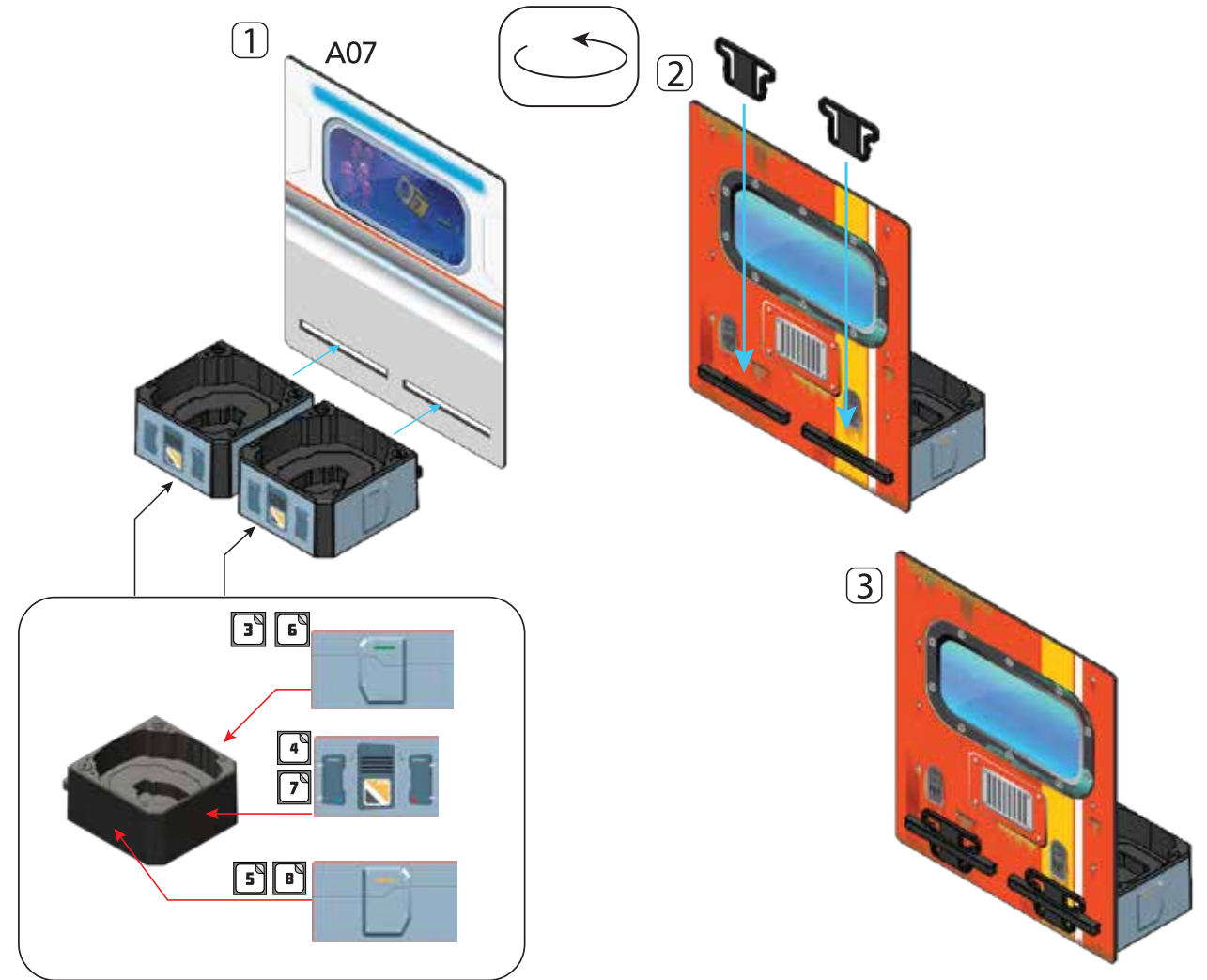
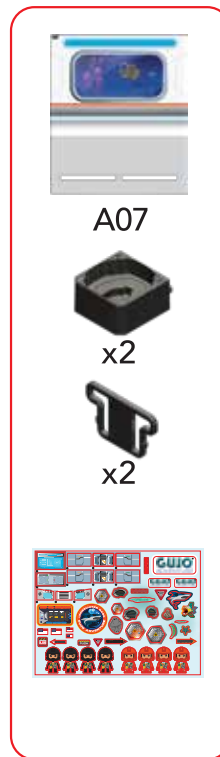


x3



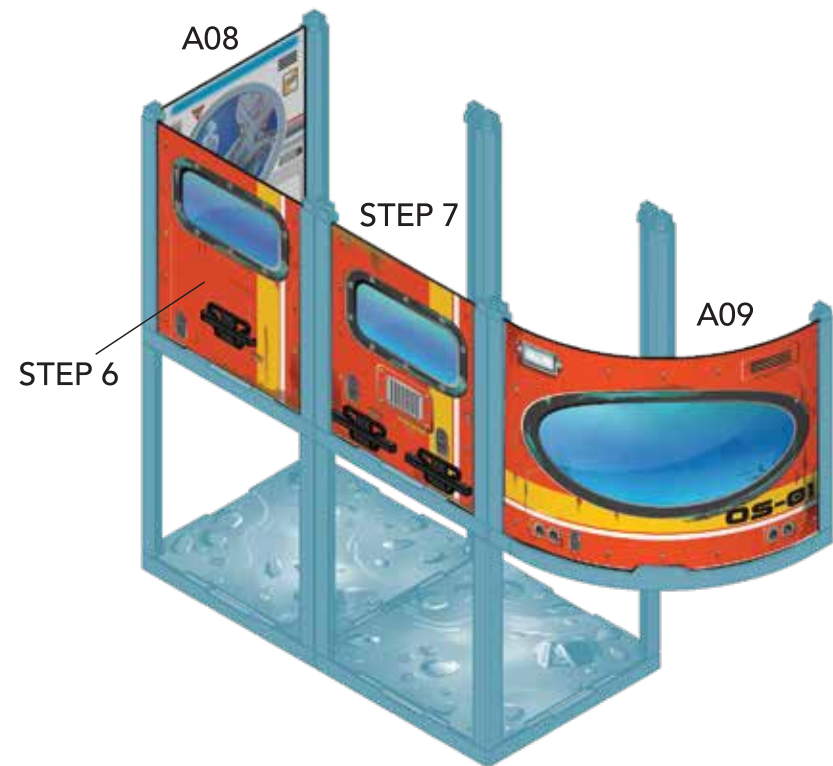
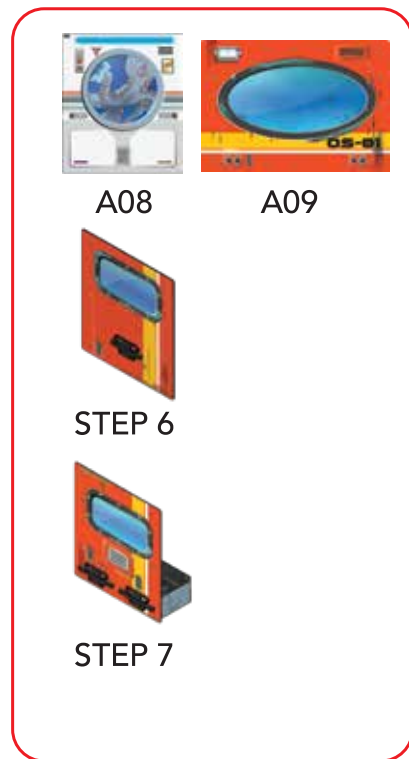
x4



A**STEP 6****A****STEP 7**

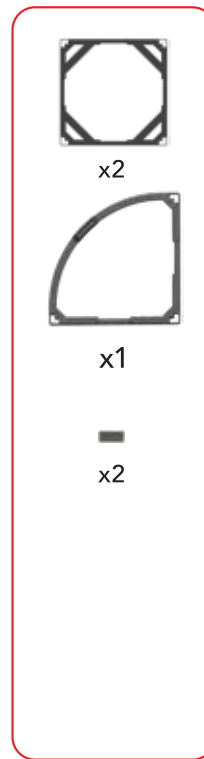
A

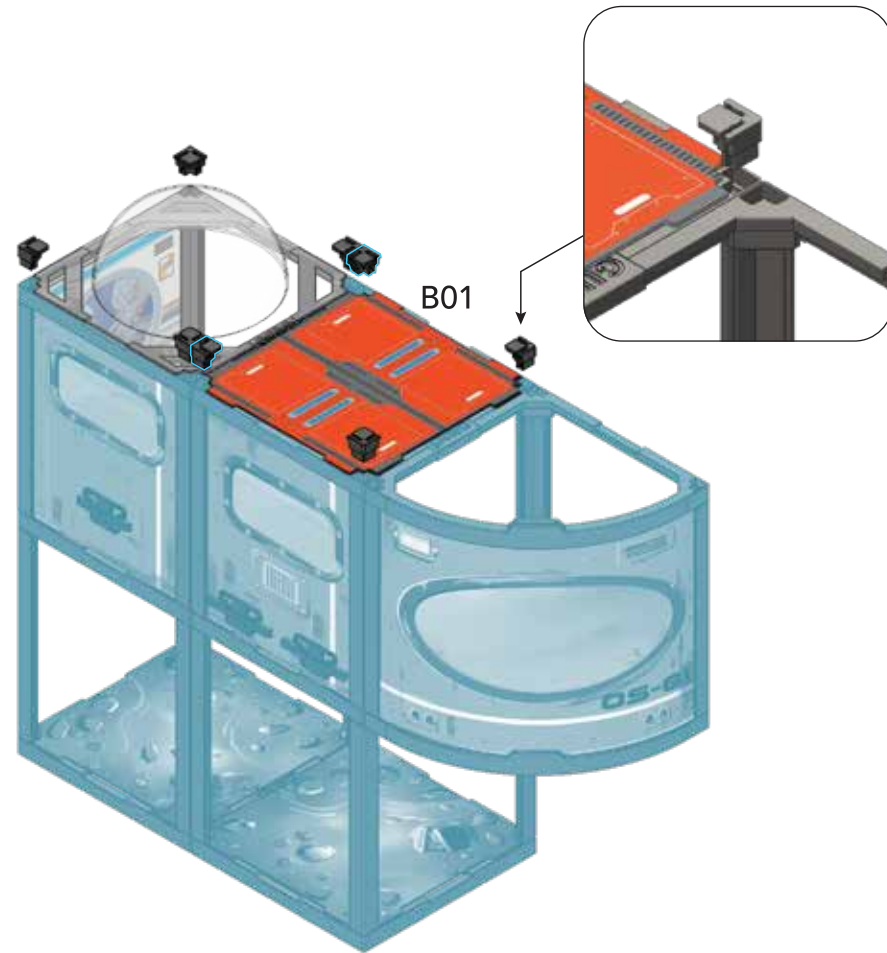
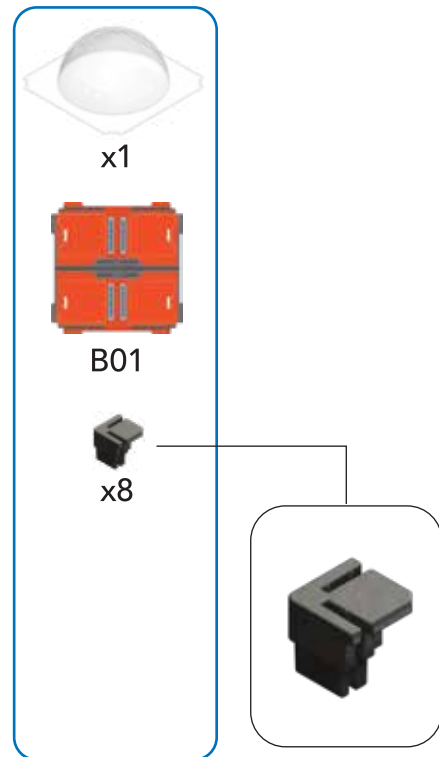
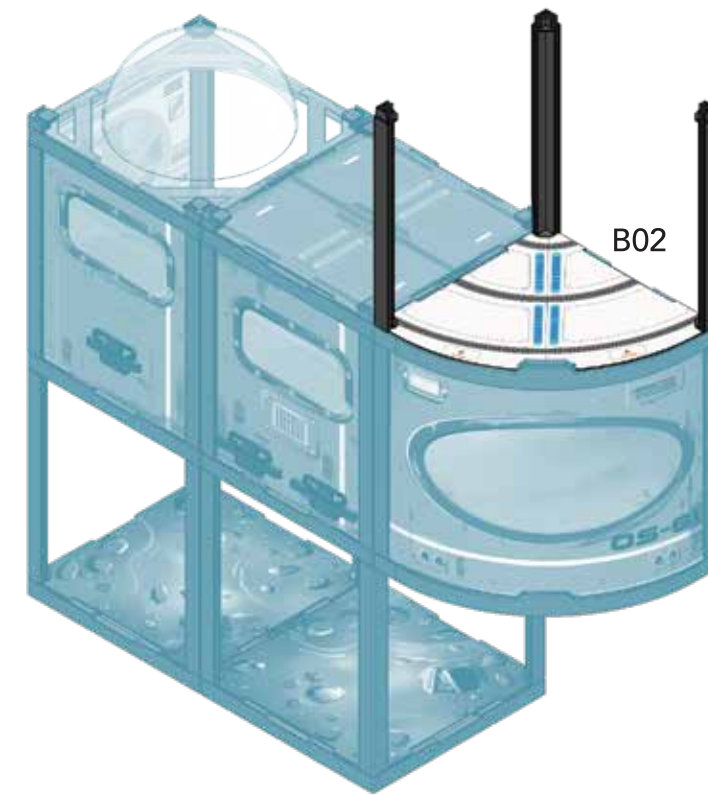
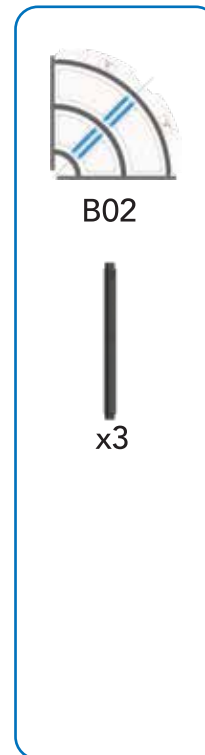
STEP 8



A

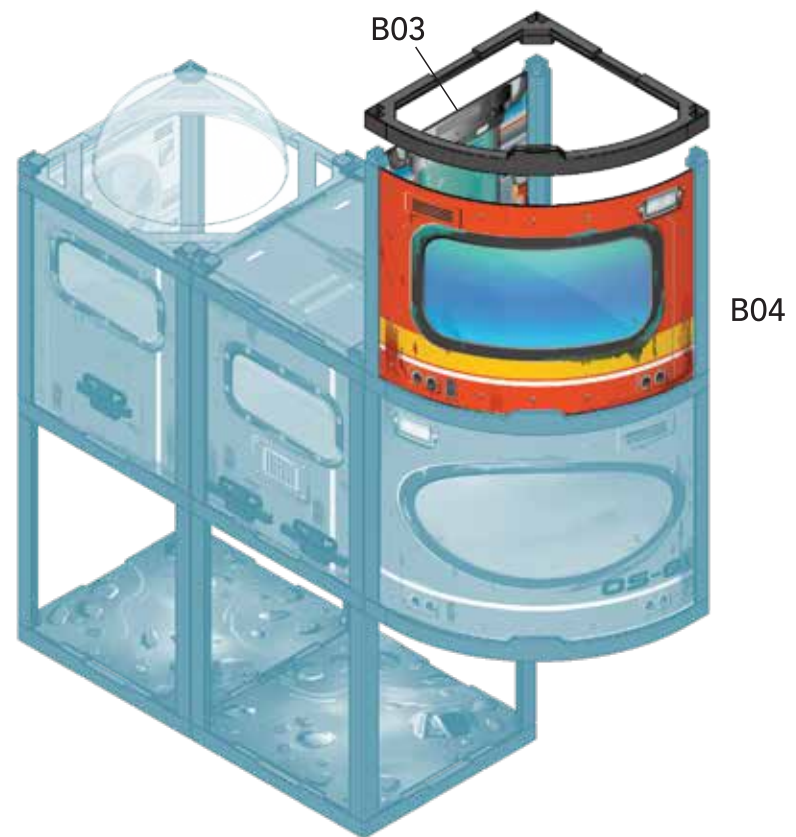
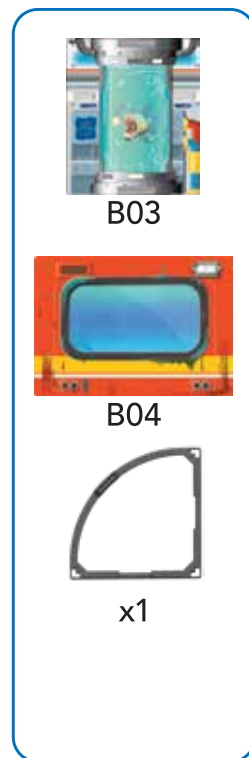
STEP 9



B**STEP 10****B****STEP 11**

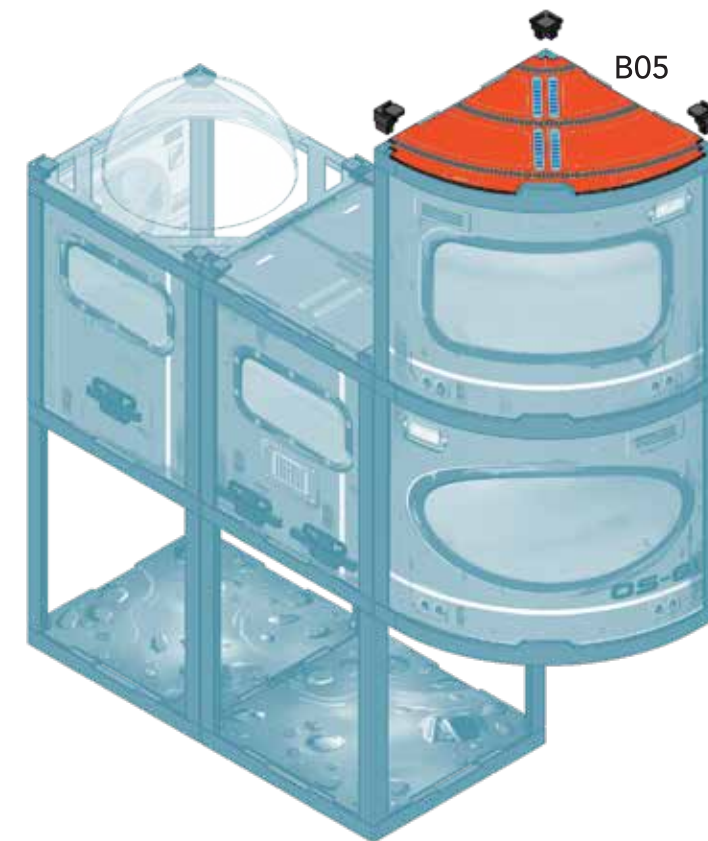
B

**STEP
12**

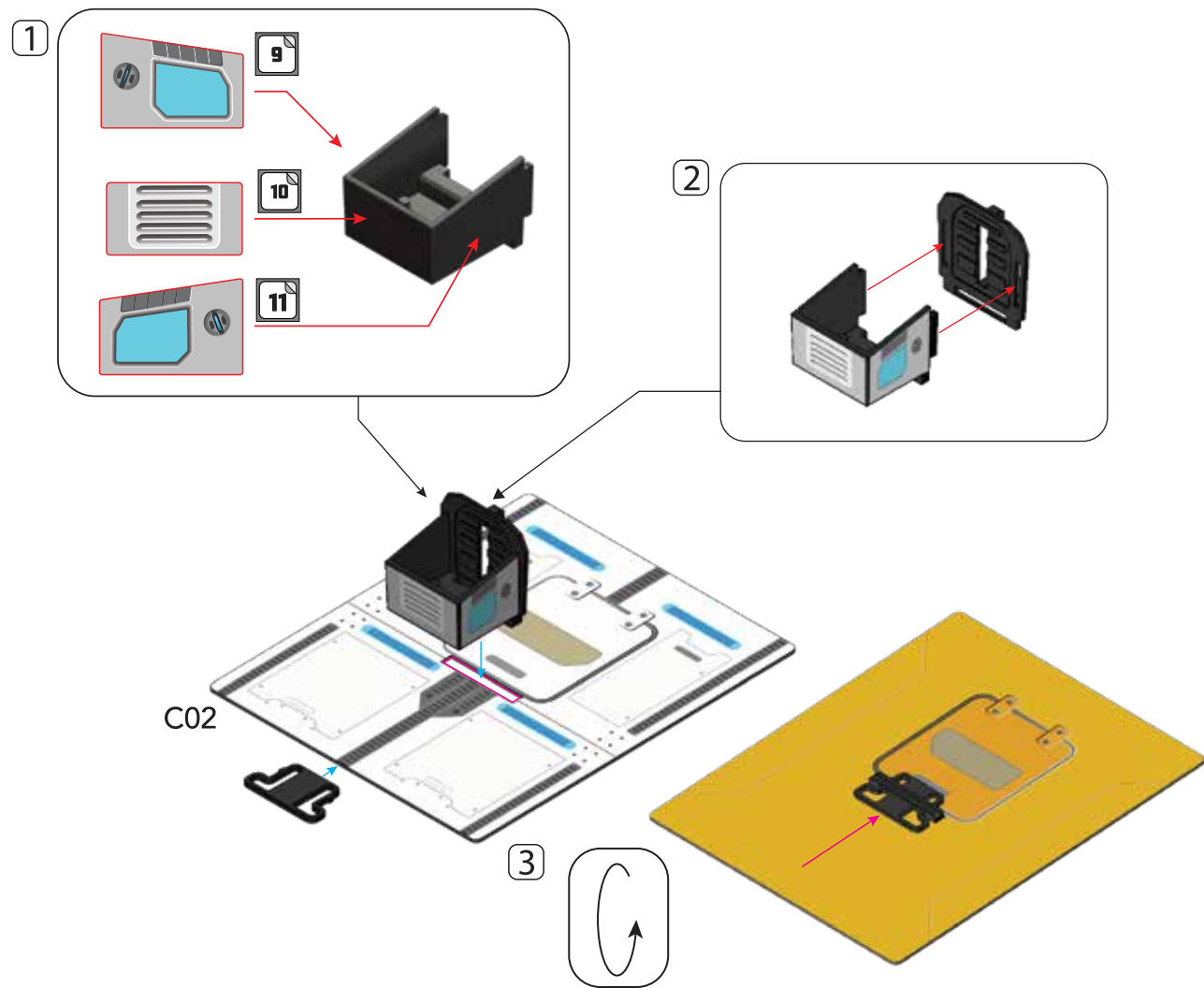
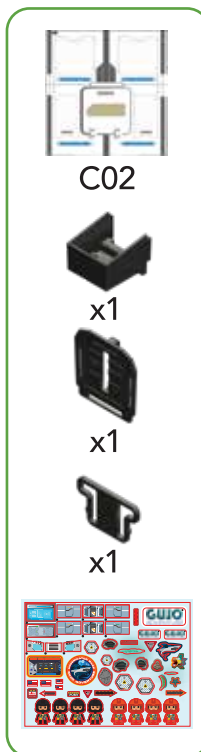
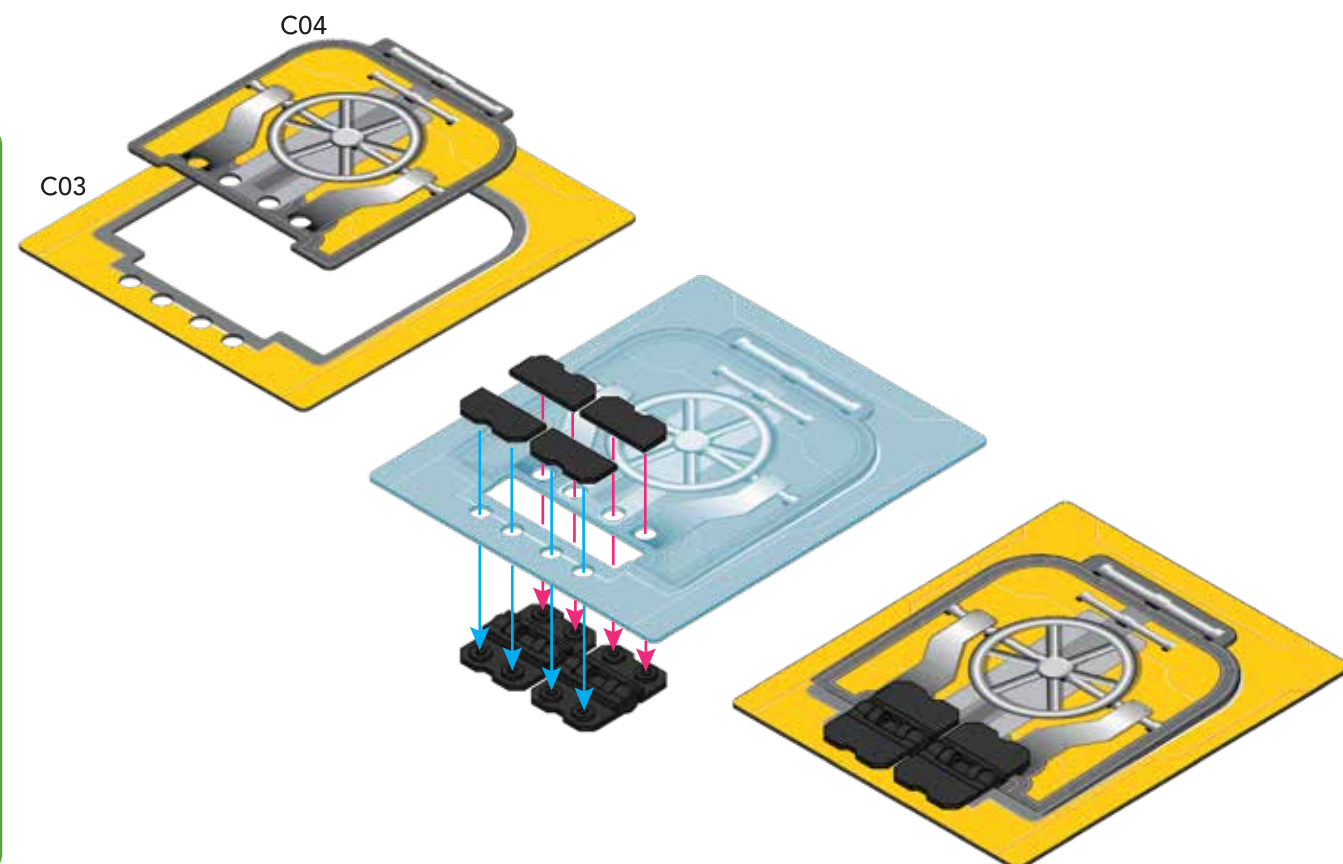


B

**STEP
13**

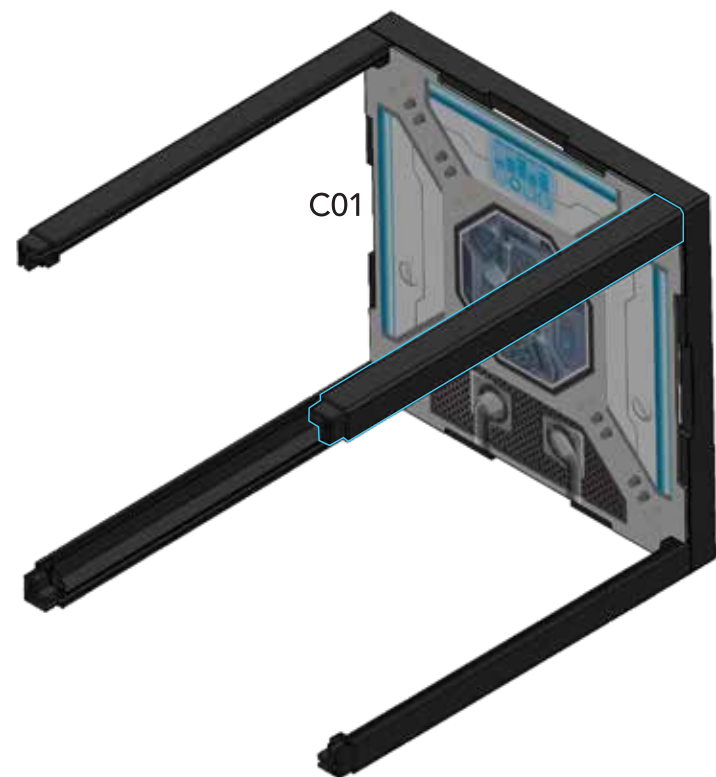
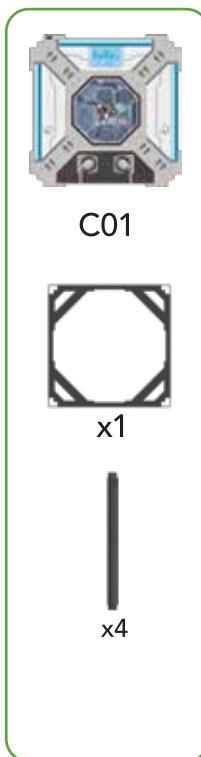




C**STEP 14****18****C****STEP 15****19**

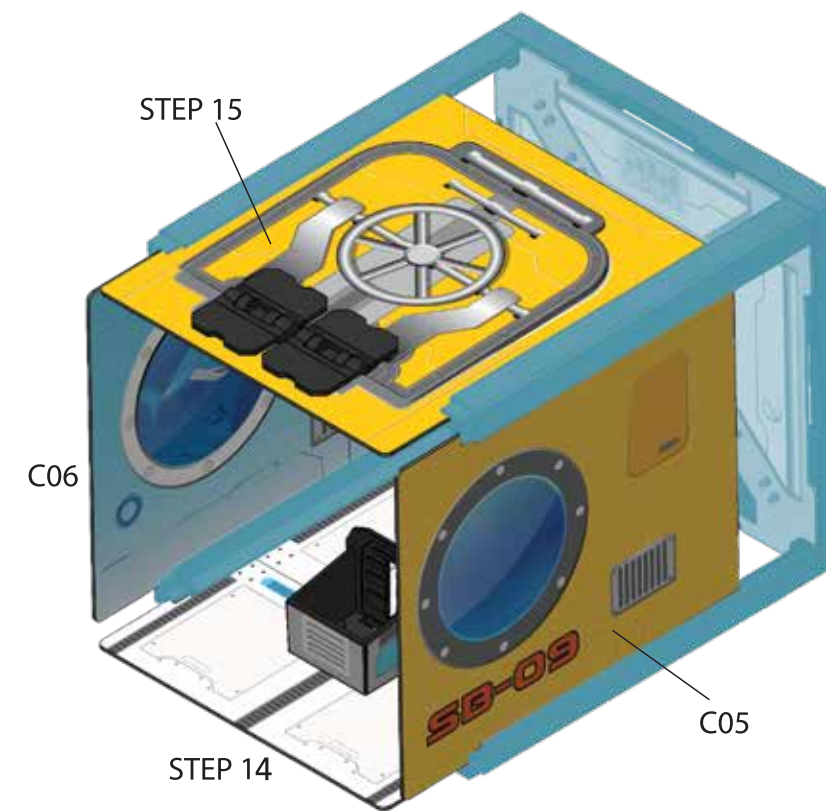
C

STEP 16



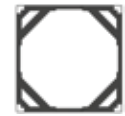
C

STEP 17

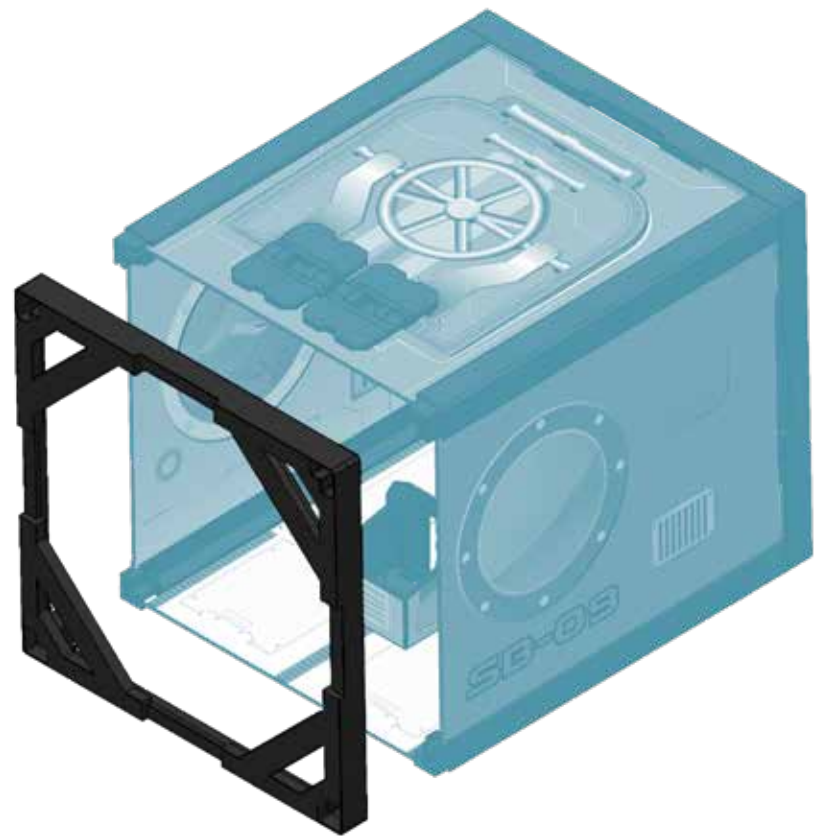


C

STEP
18



x1



C

STEP
19



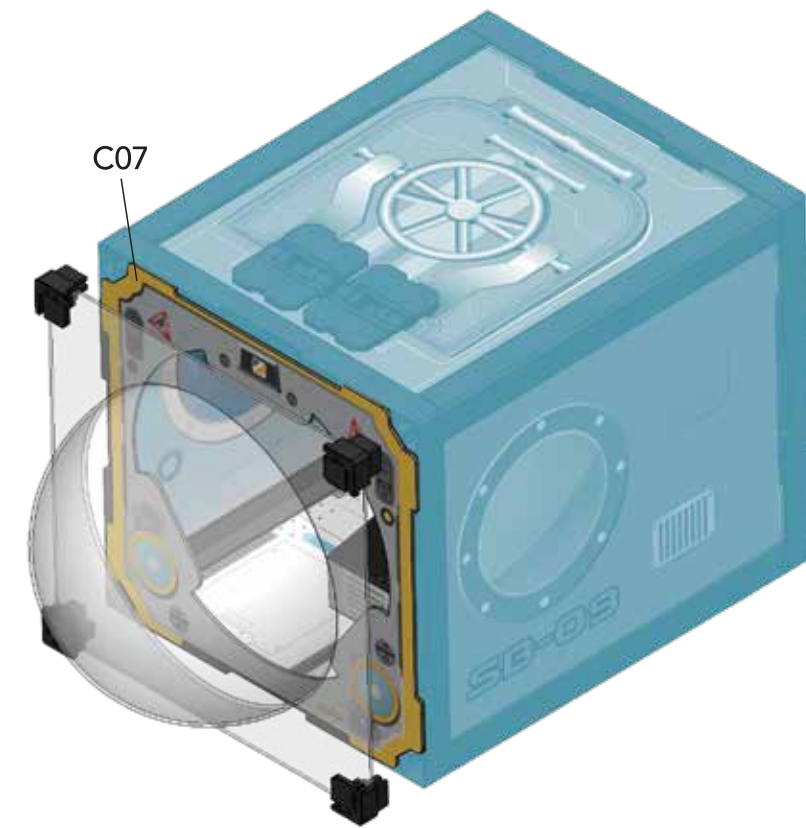
C07



x1



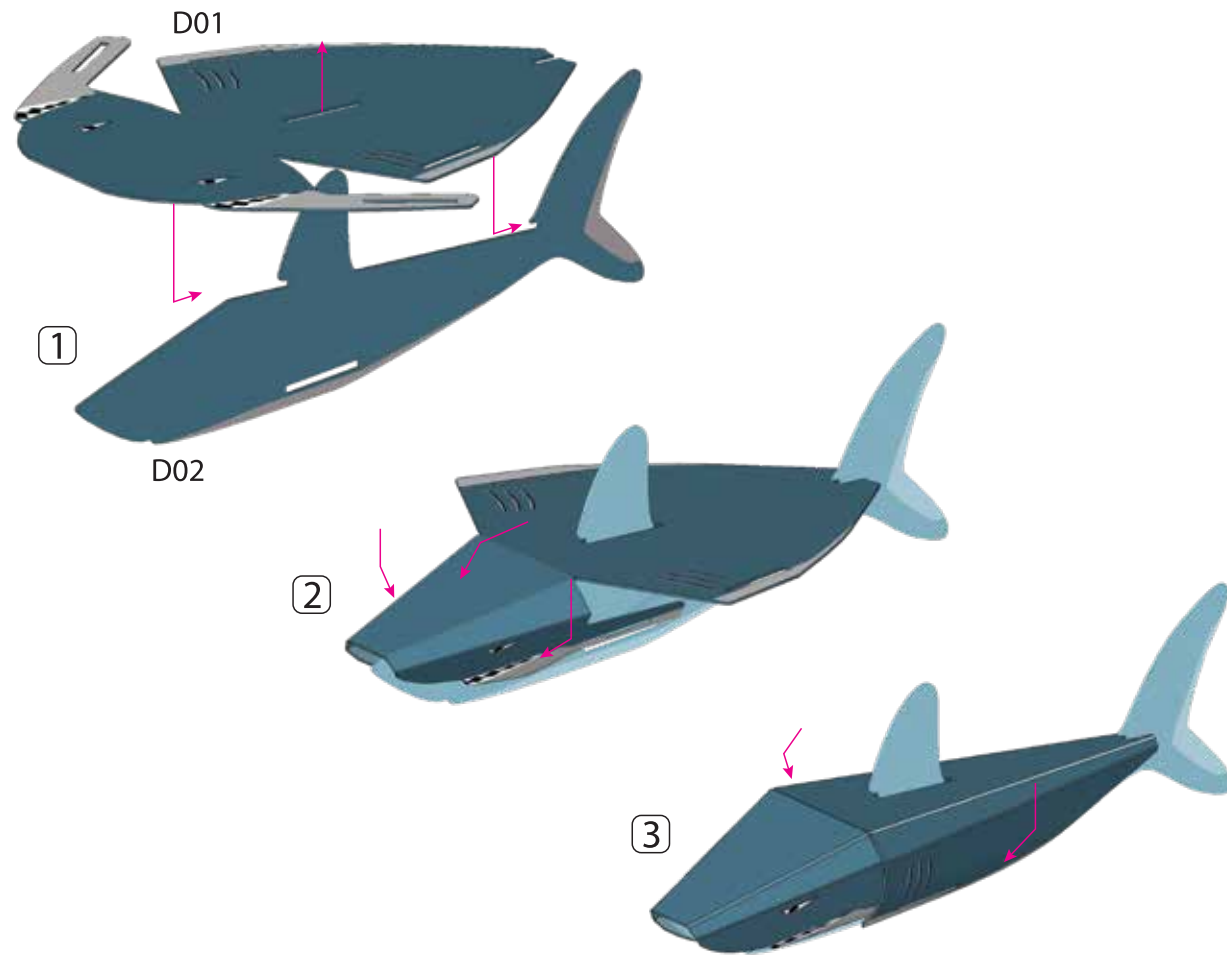
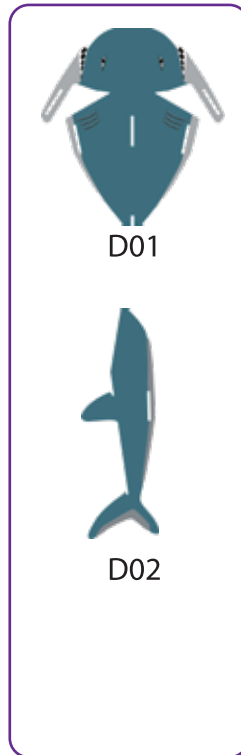
x4





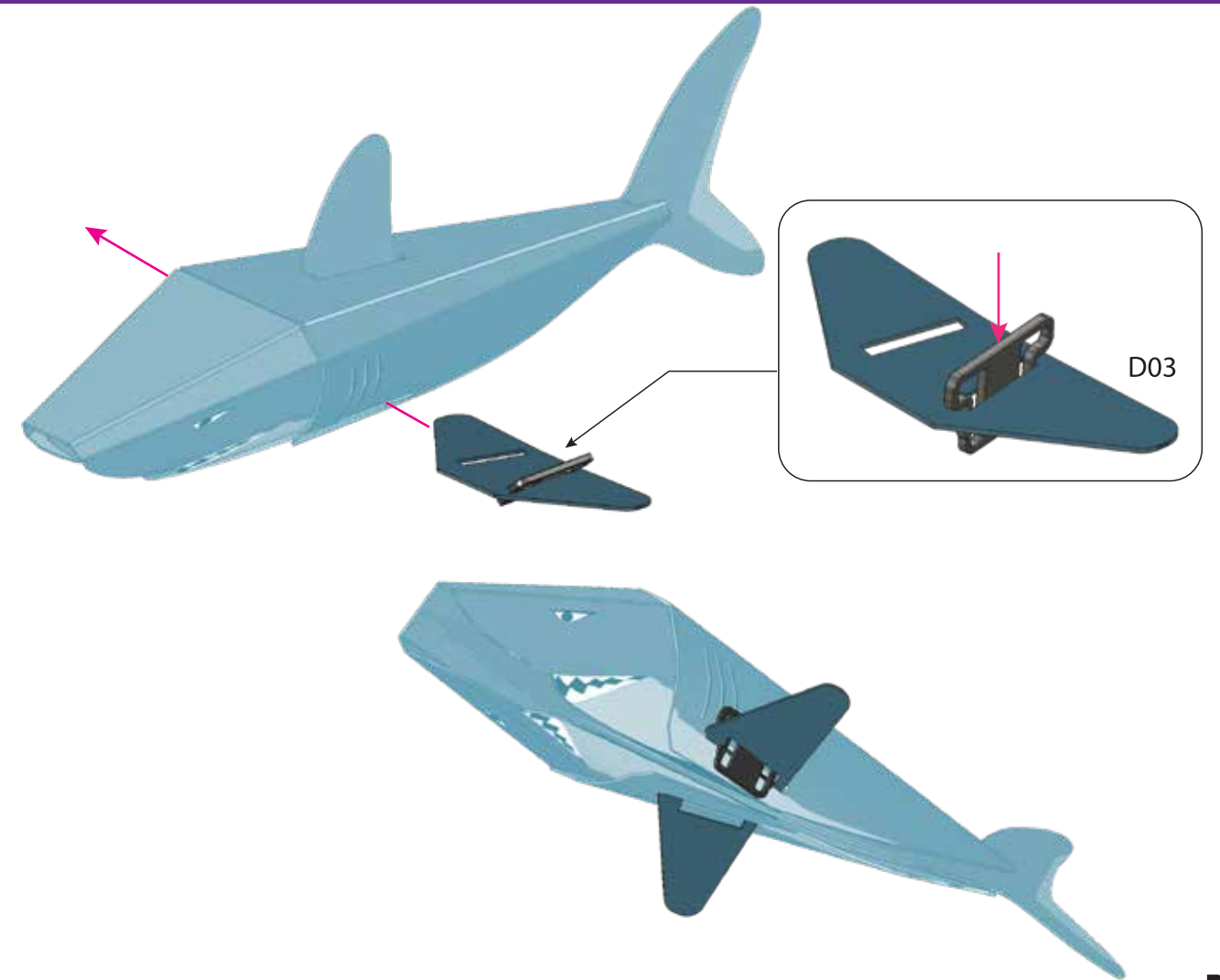
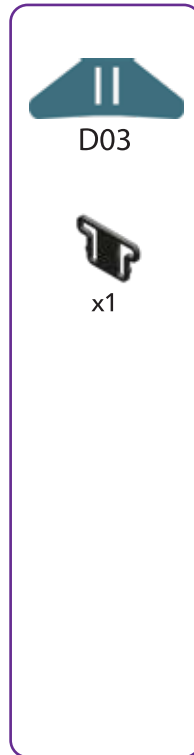
D

STEP 20



D

STEP 21

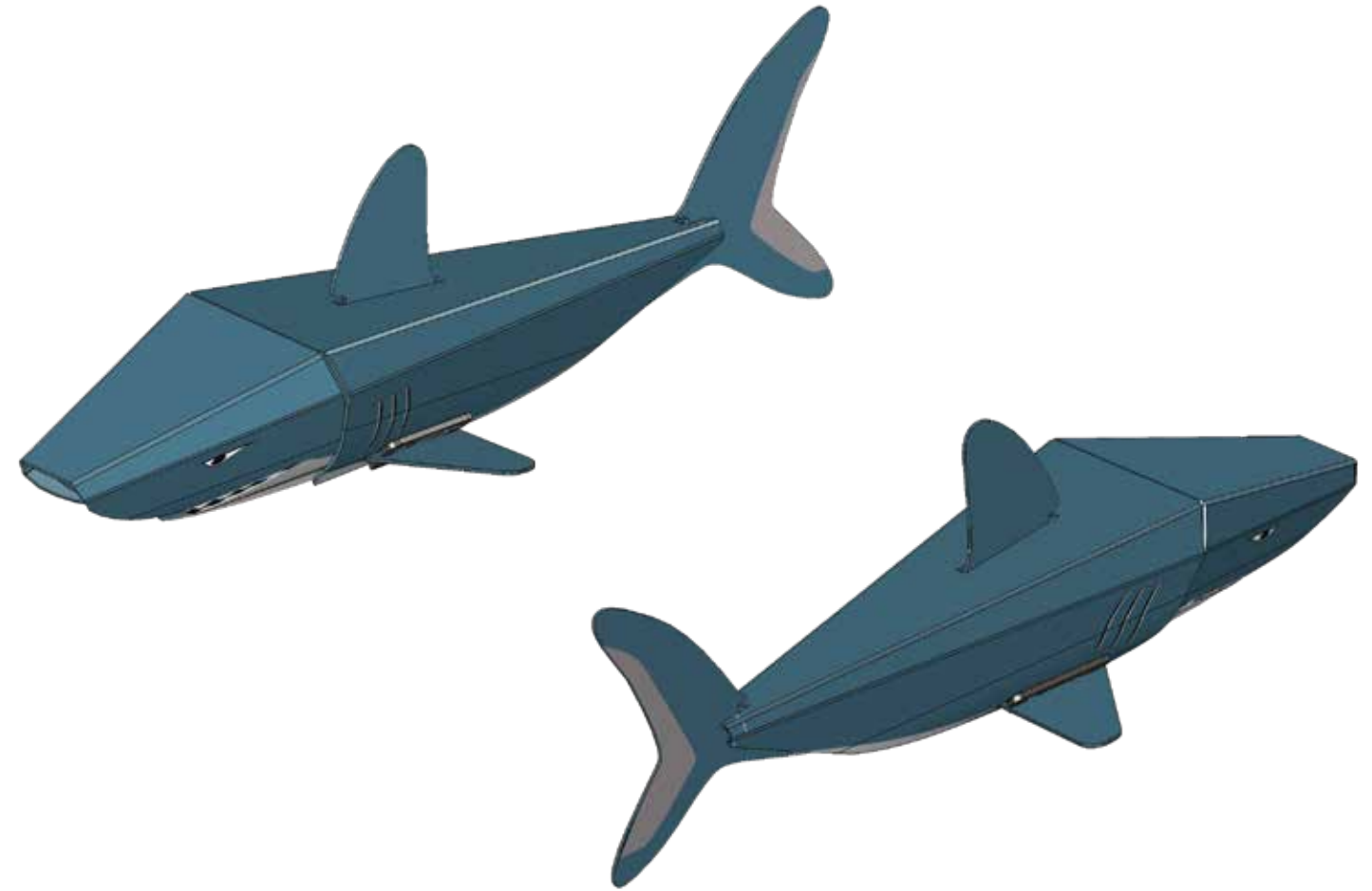
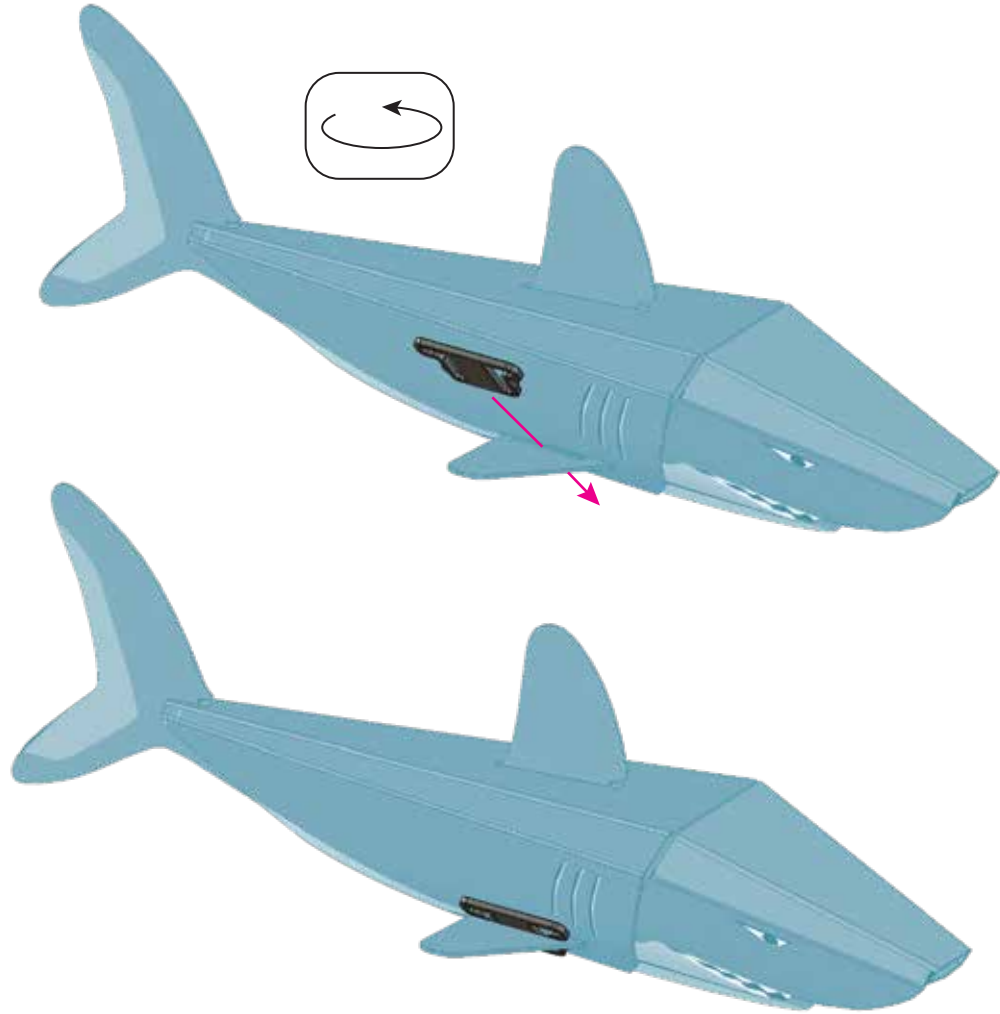


D

STEP
22



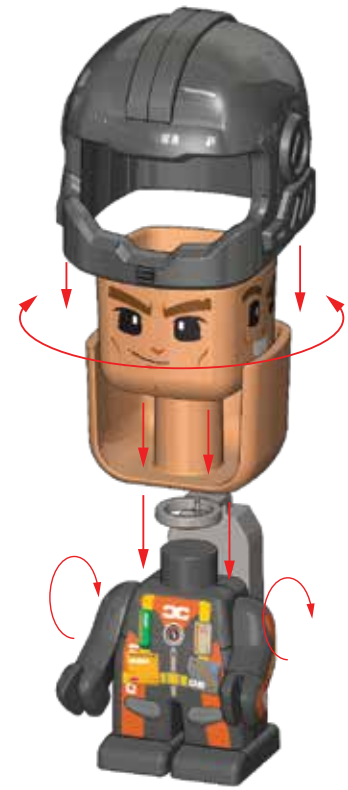
x1





BUILD IT YOUR WAY





GUJO
ADVENTURE

**MORE GUJO
ADVENTURES**



MISSION MARS ROCKET



MARS SPACE BASE



DEEP SEA SUBMARINE



LOST JUNGLE TEMPLE

ALSO AVAILABLE



Designed in California.
Irvine, CA 92614 USA
Made in China.
www.gujoadventure.com
(888) 551-4258